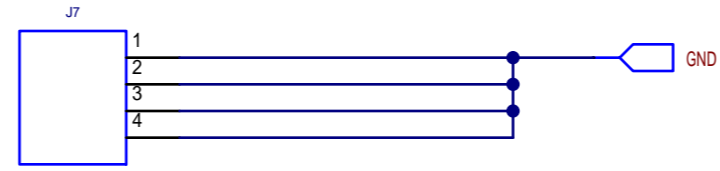
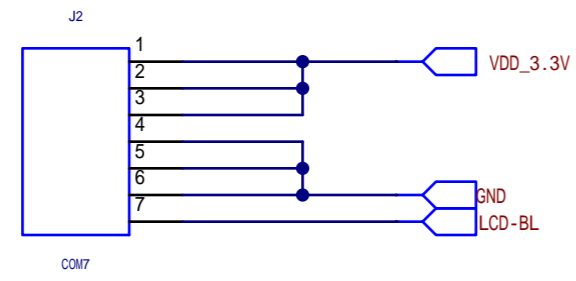
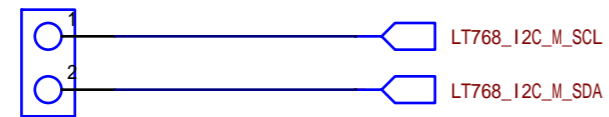


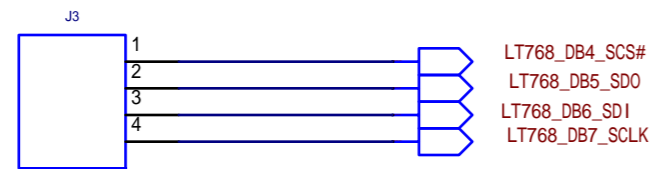
VDD3.3V



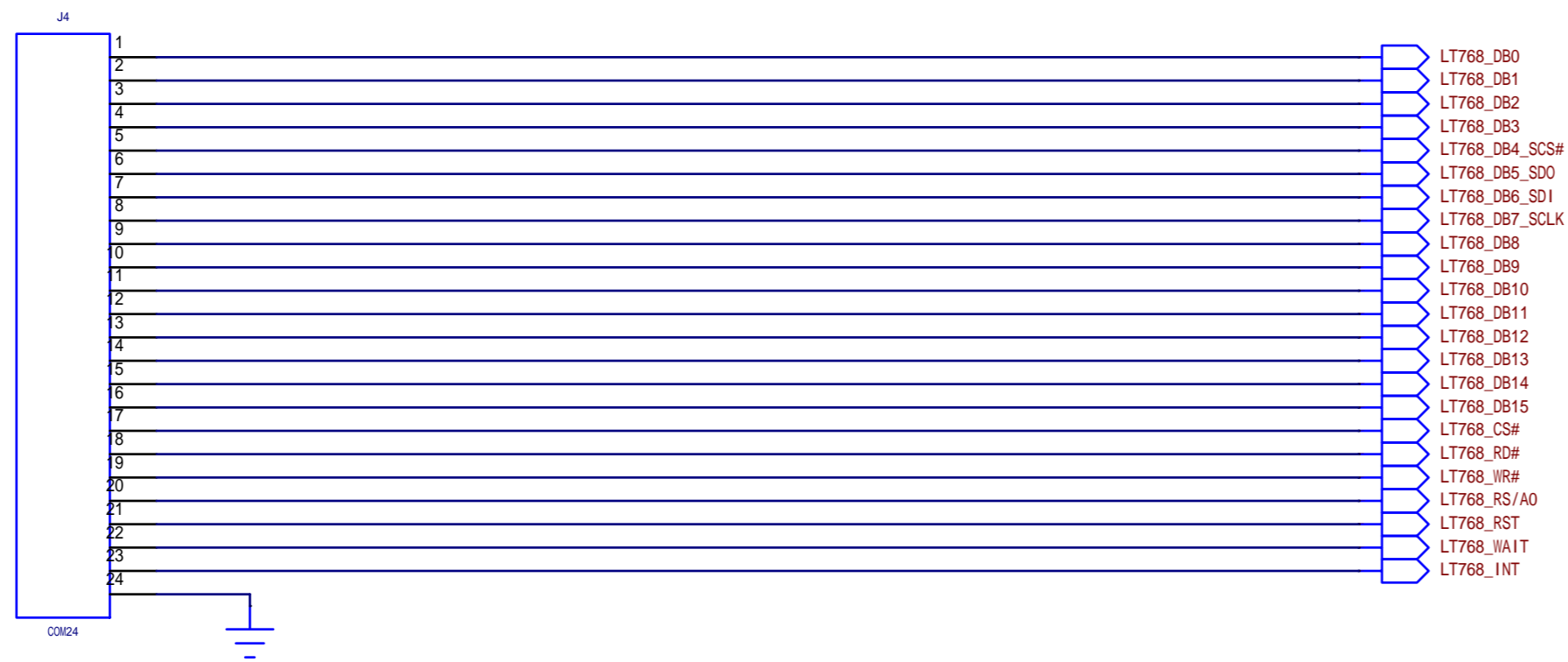
I2C

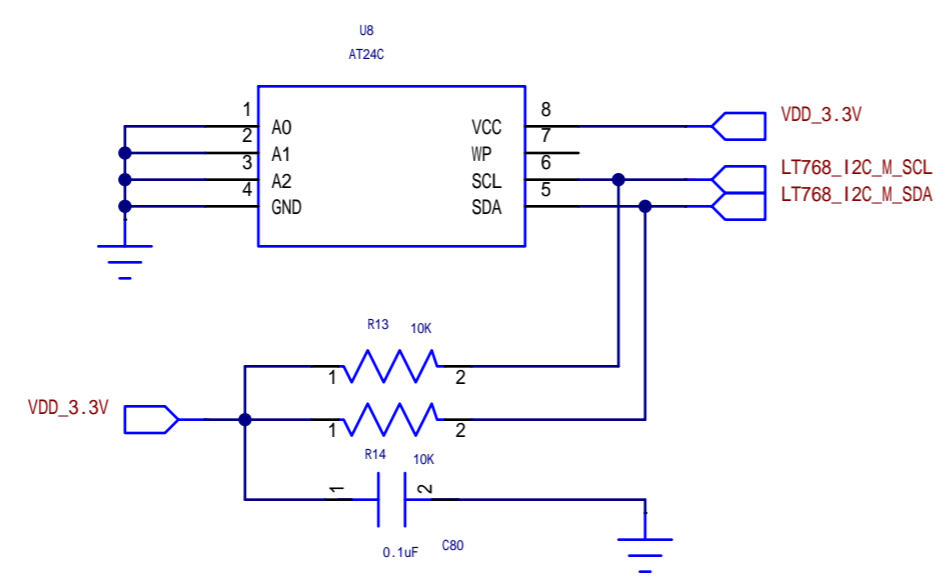
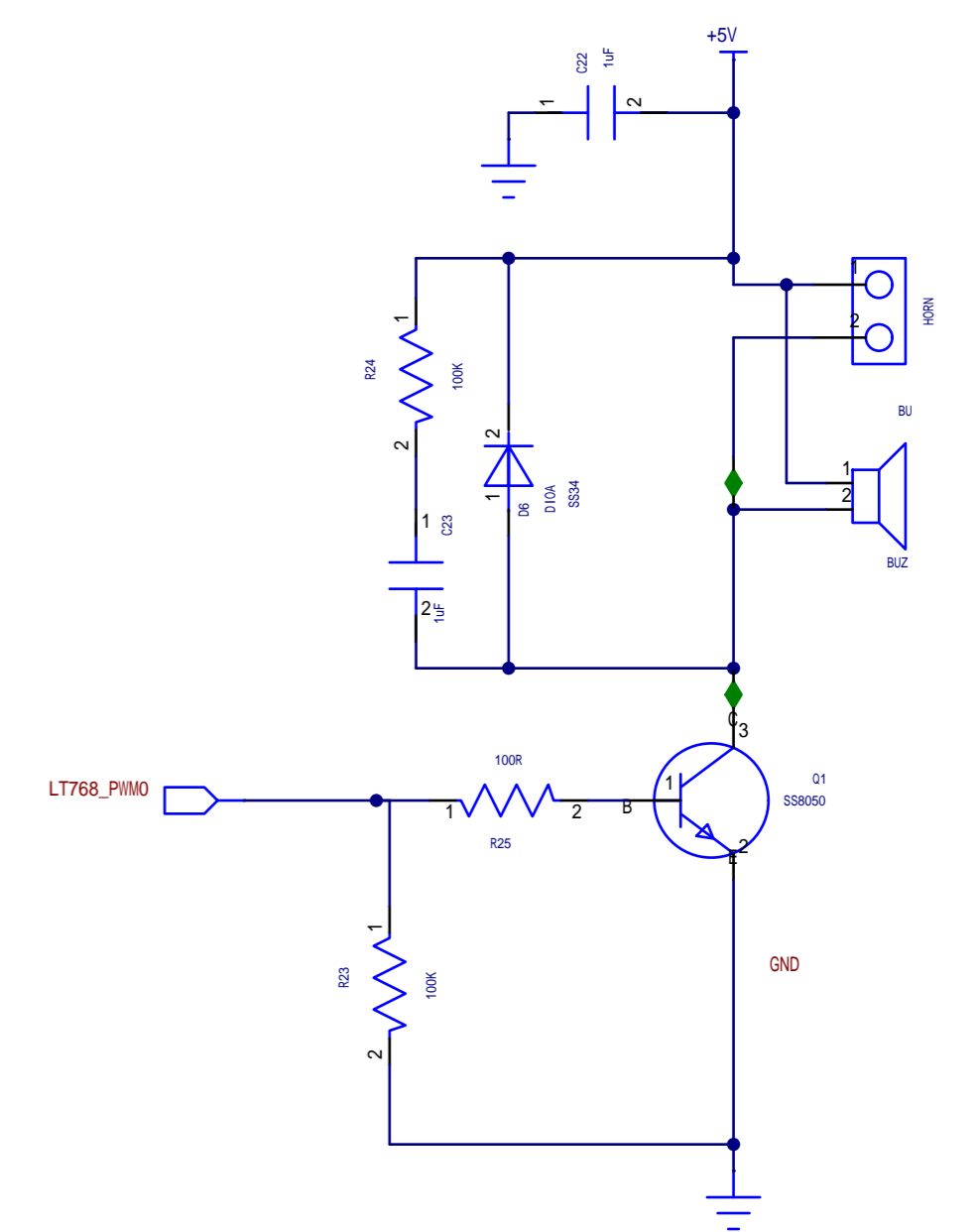
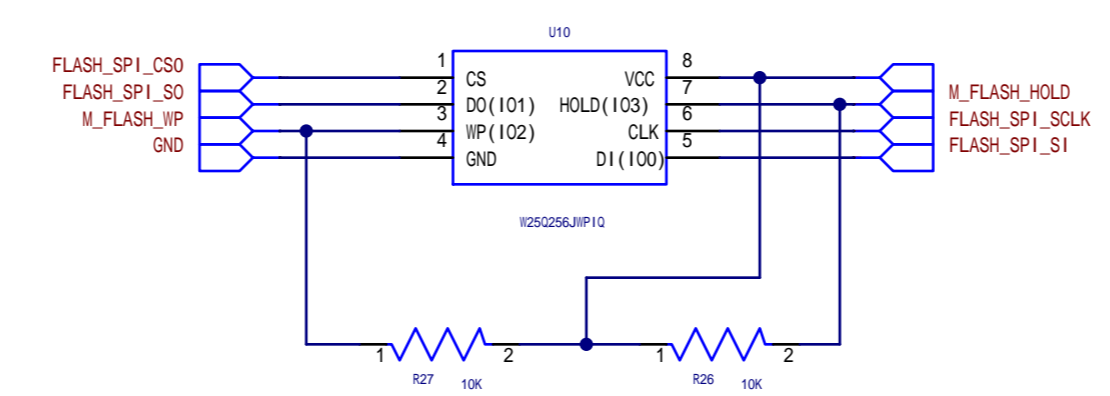
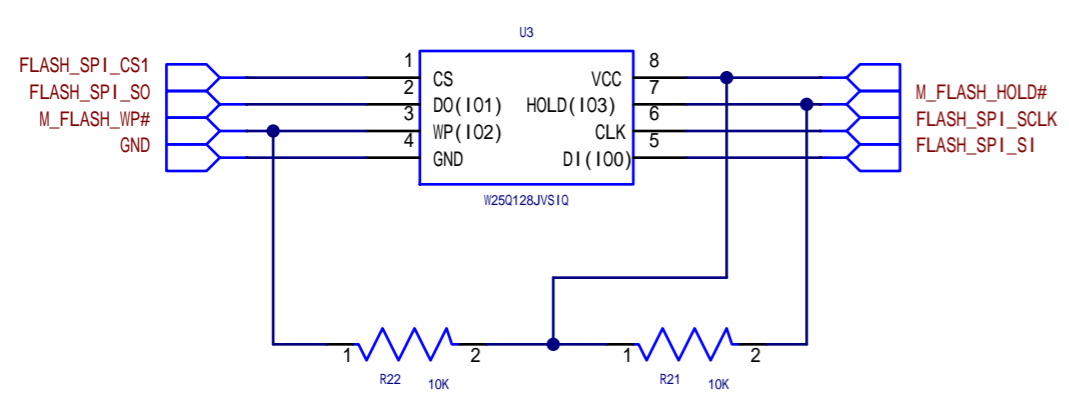
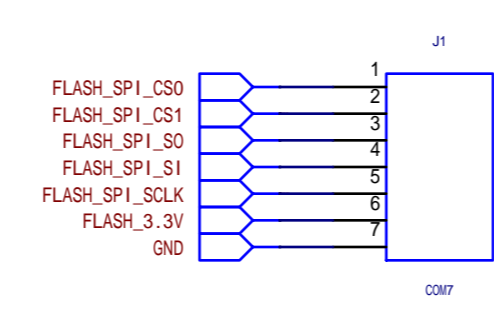
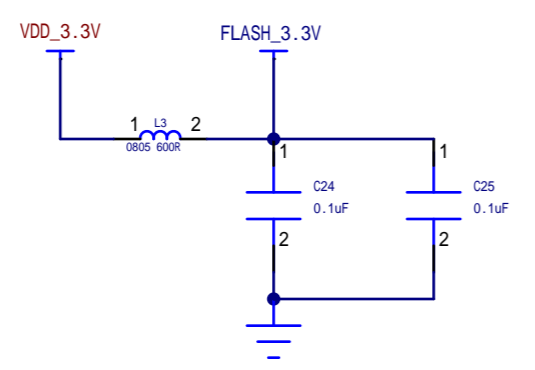


4 SPI



LPT 16BIT





LCD interface display

