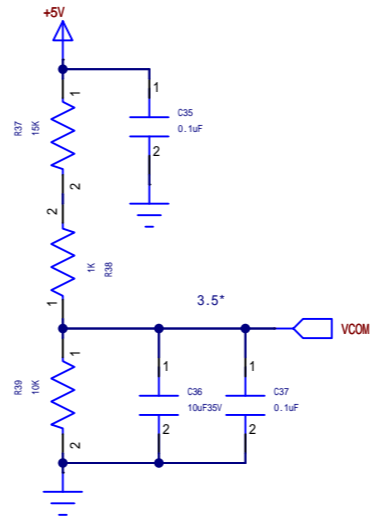
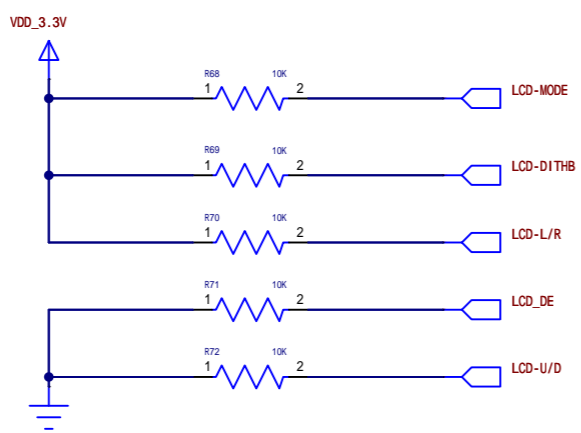
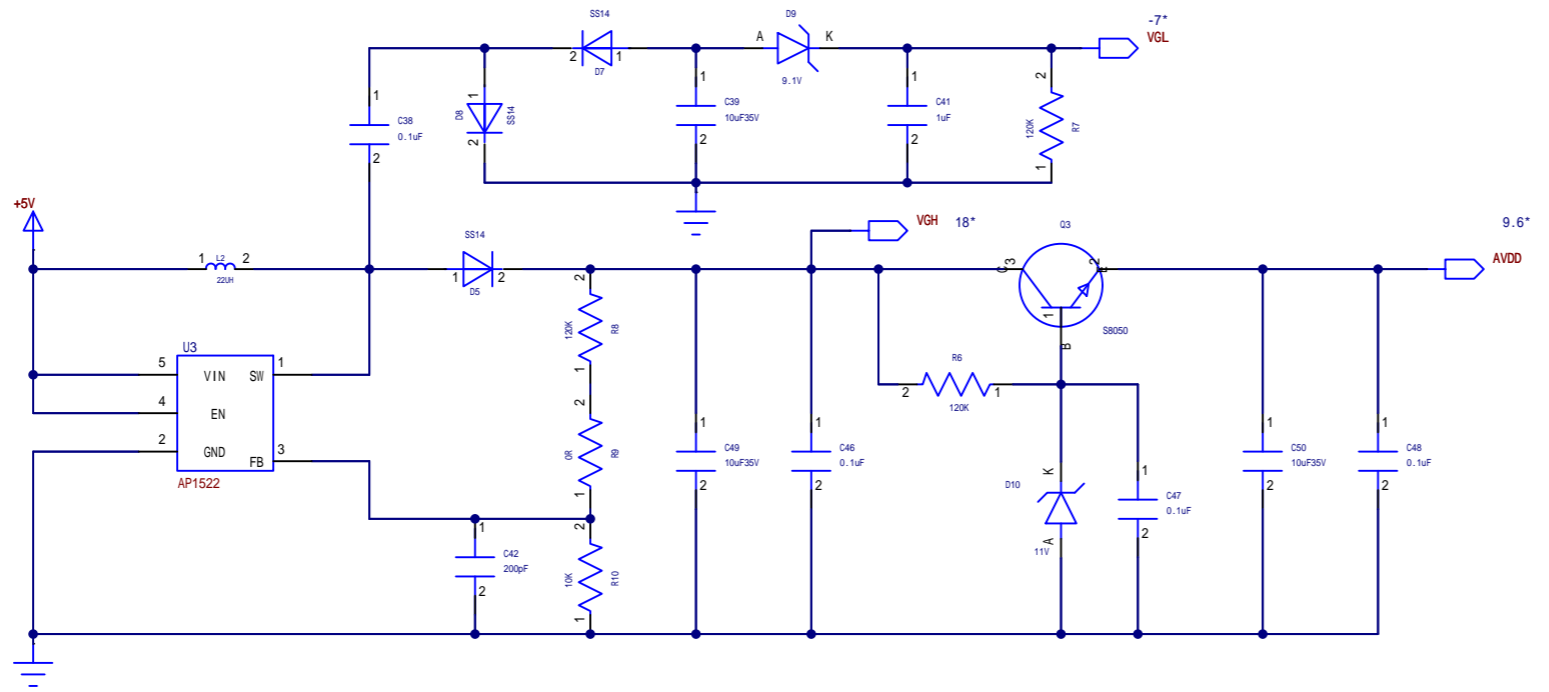
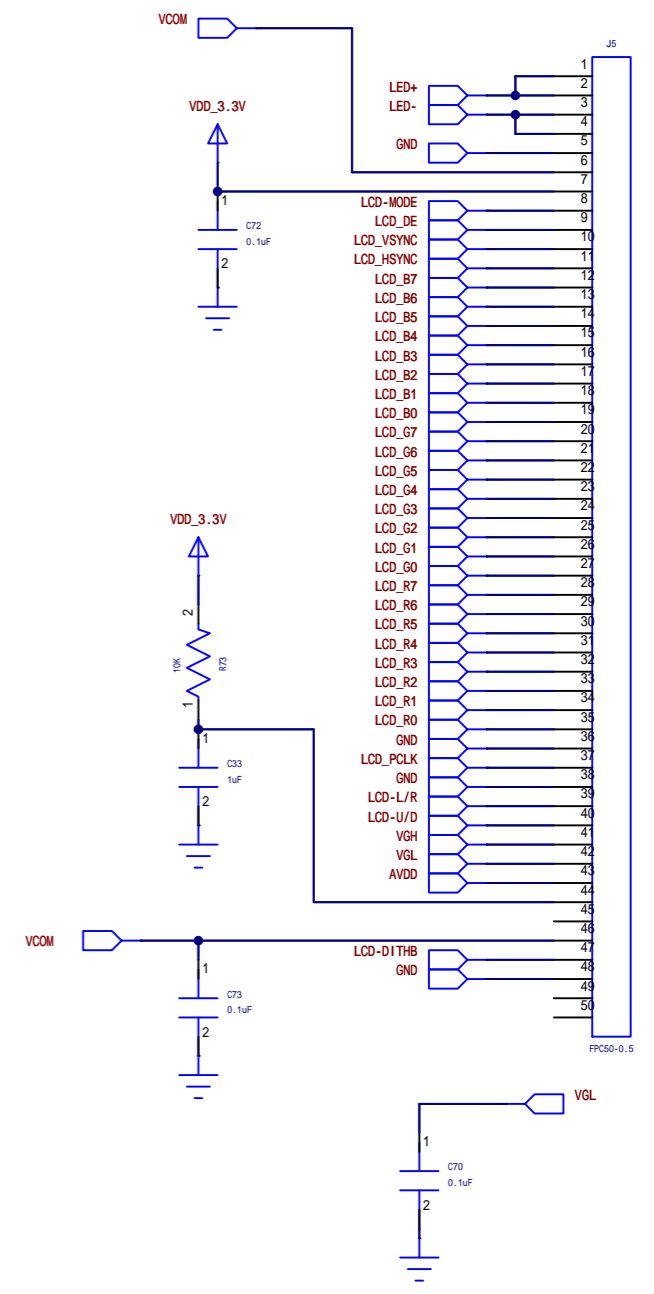
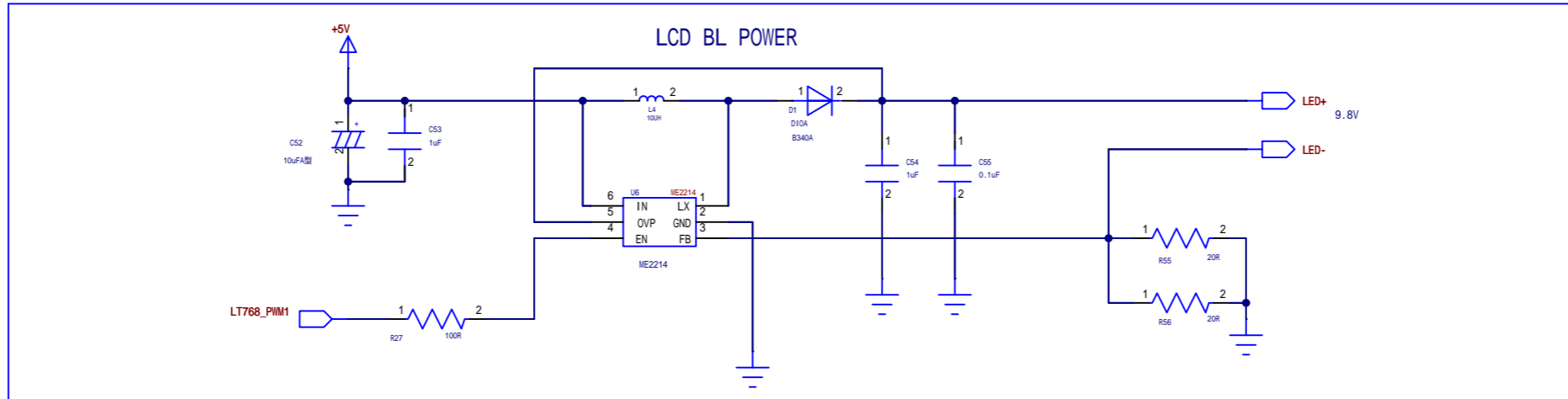
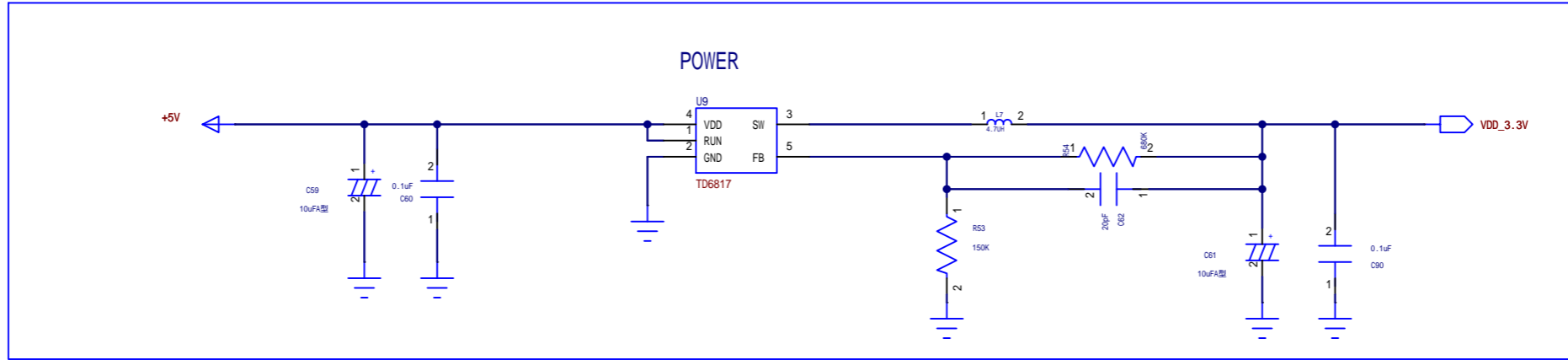


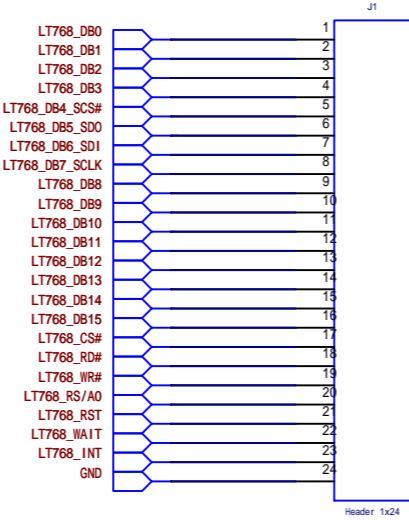
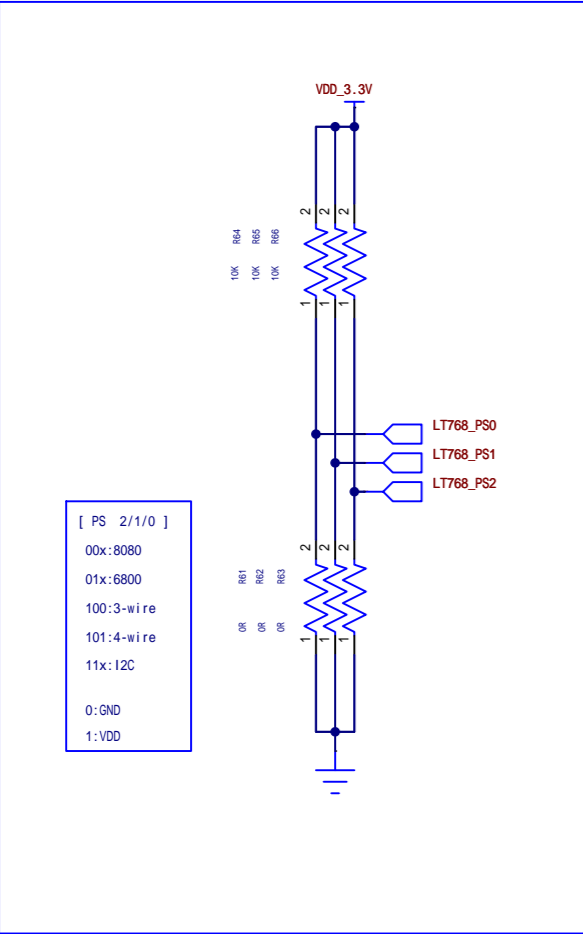
LCD POWER



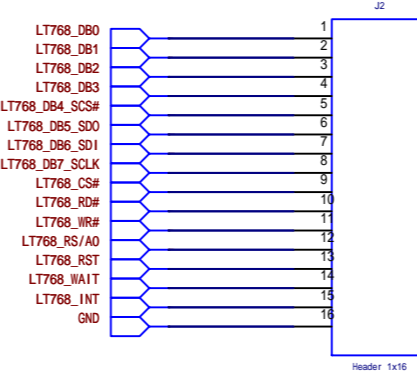
LCD interface display



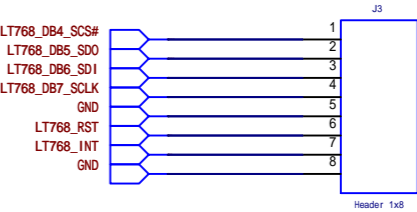




LPT 16bit



LPT 8bit



SPI 4 line