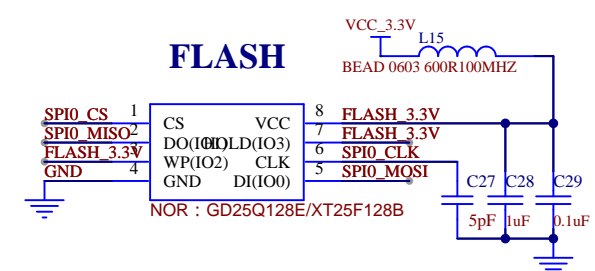
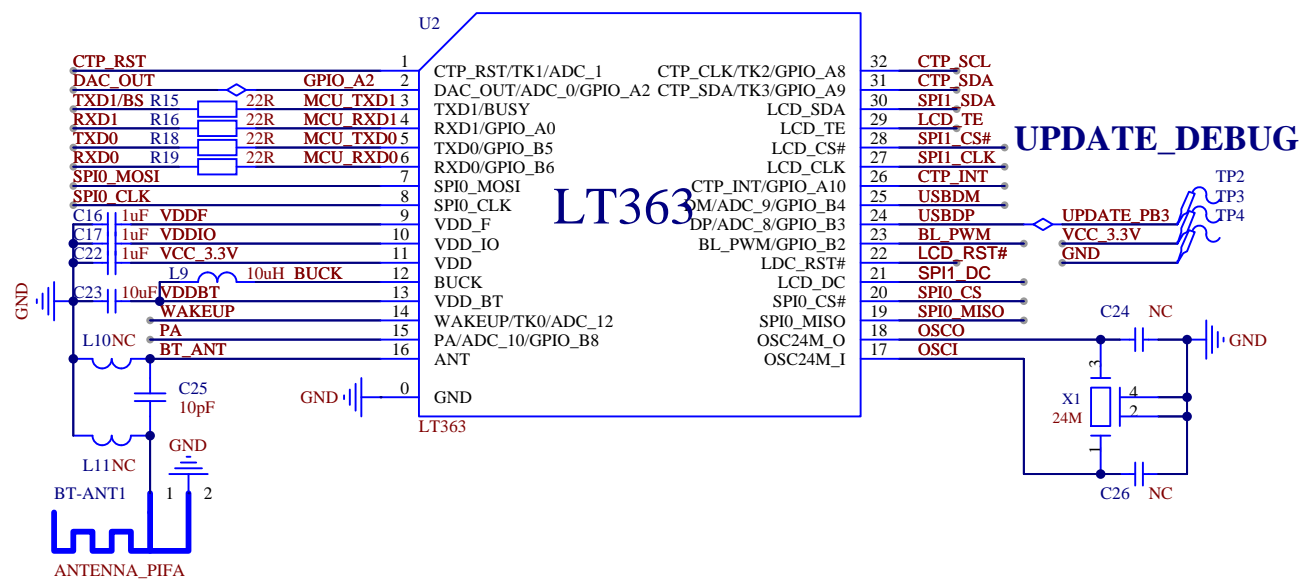
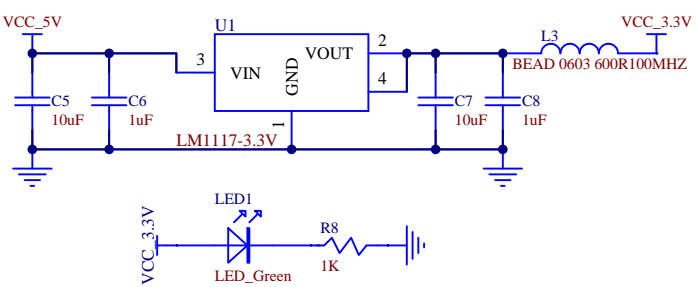


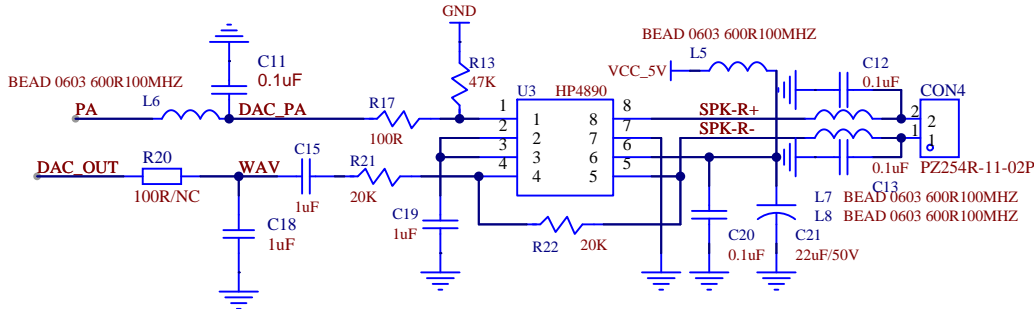
LT363



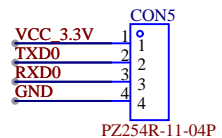
5V to 3.3V



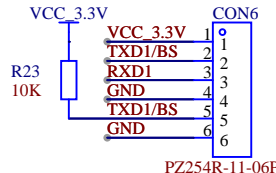
音频电路(Optional)



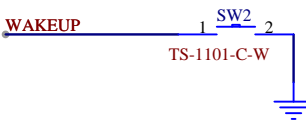
USART0



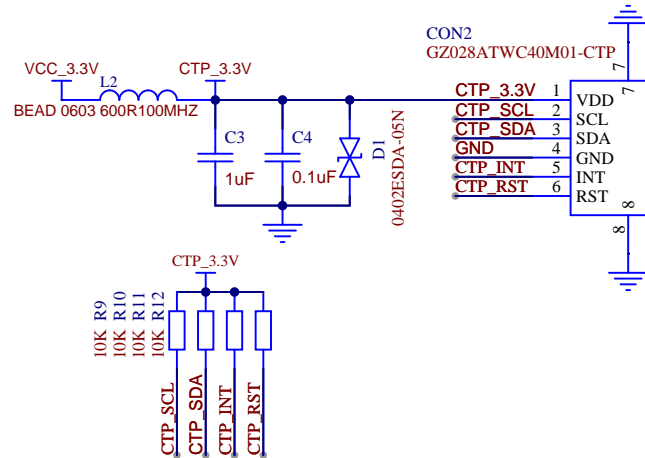
USART1&BUSY



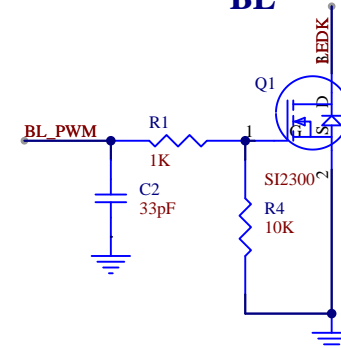
WAKEUP



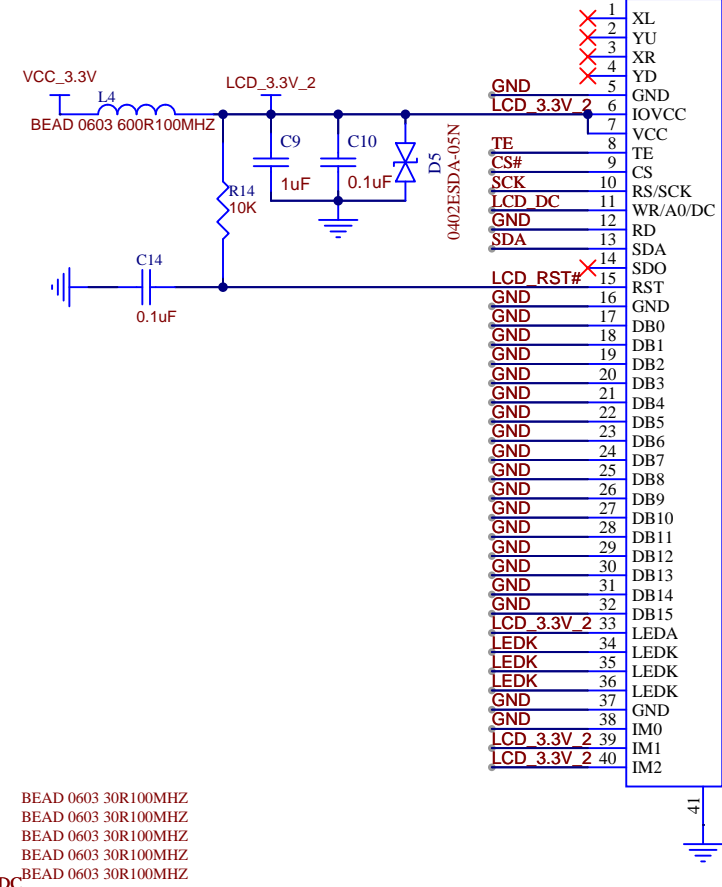
CTP



BL



CON3



Schematic	LT363_Demo_V1.1	Update Date	2026-03-16
Page	LT363_Demo_V1.1	Create Date	2025-12-01
Drawn		Part Number	
Reviewed			
	VER	SIZE	PAGE 1 OF 1
	V1.1		Levetop Semiconductor.